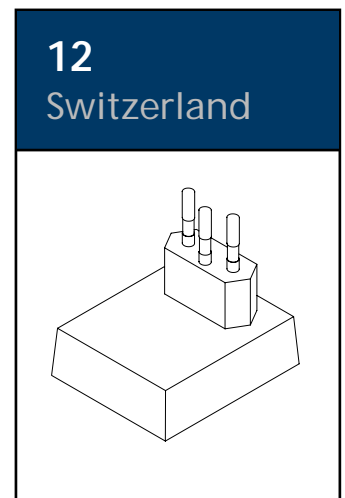
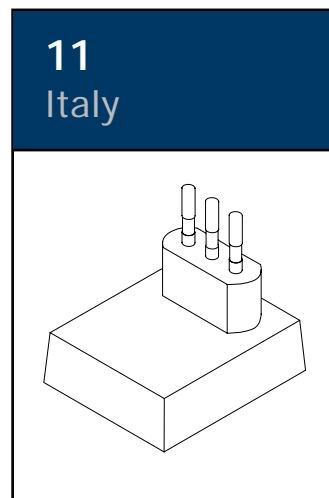
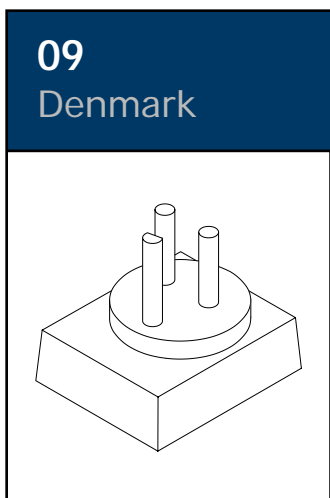
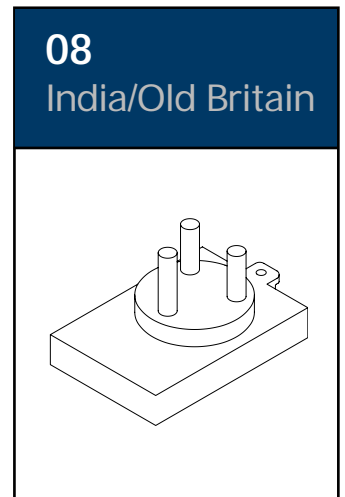
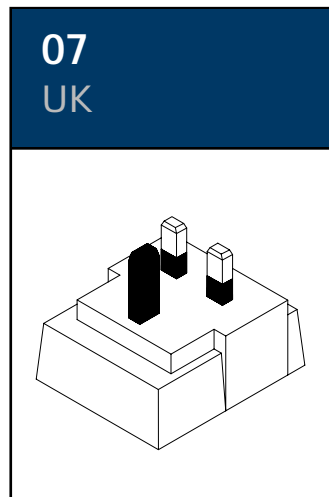
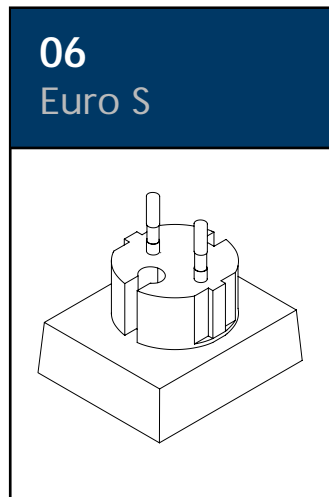
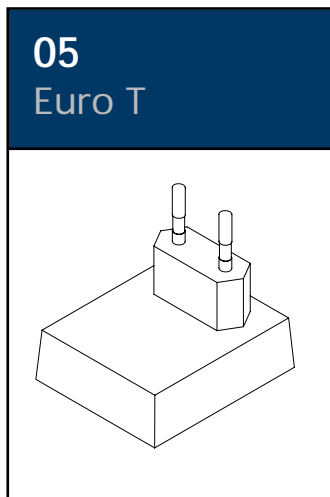
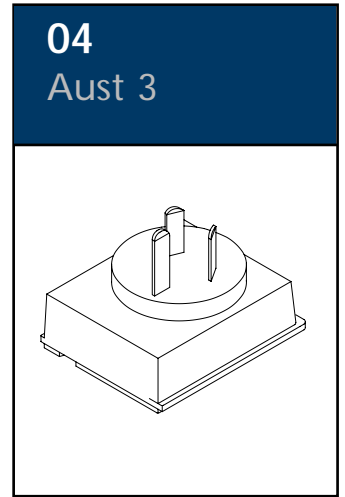
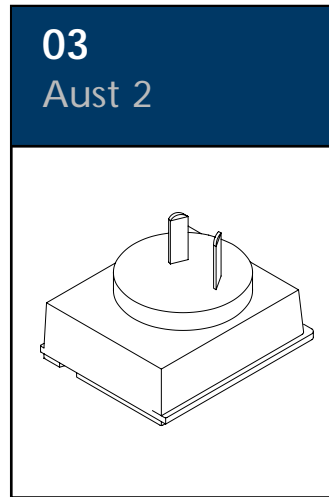
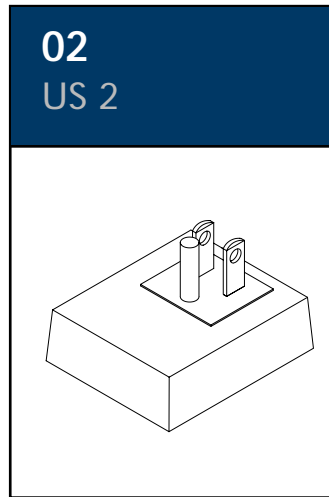
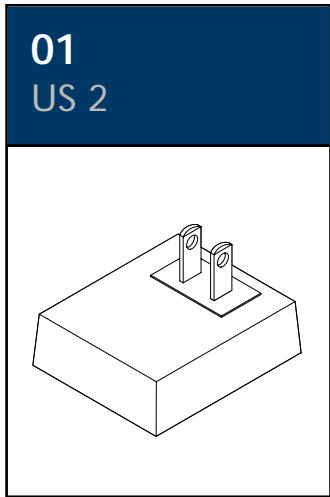


WORLD INPUT VOLTAGE AND PLUG GUIDE



Euro S = European Shuko. Euro T = European Turret. US 3, 2 = US 3 or 2 prong. Aust 3, 2 = Australia 3 or 2 prong. Israel, Switzerland, Denmark and Italy have unique input/output configurations.

Country	Voltage	Hz	Number	Country	Voltage	Hz	Number
Afghanistan	220	50	08	England	240	50	07 , 08
Algeria	127/220	50	05, 08	Ecuador	120	60	01, 02 , 05
American Samoa	120/240	60	01, 02, 04 , 06	Equatorial Guinea	220	50	05
Angola	220	50	05	Estonia	220	50	05, 06
Angilla (U.K.)	240	50	07	Ethiopia	220	50	05, 06, 06A, 08, 11
Antigua	230	60	01, 02, 08	Fiji	240	50	04
Argentina	220	50	04 , 05	Finland	230	50	05, 06
Aruba	115/127	60	01, 02, 05, 06, 08	France	230	50	05, 06A
Australia	240	50	03 , 04	French Guiana	220	50	05 , 06A
Austria	230	50	05, 06	Gabon	220	50	05 , 06A
Azores (Portugal)	220	50	05, 08	Gambia	220	50	07
Bahamas	120	60	01 , 02	Germany	230	50	05, 06
Bahrain	220	50	07, 08	Ghana	220	50	05, 07 , 08
Bangladesh	220	50	05, 08	Gibraltar	240	50	05, 07
Barbados	115	50	01, 02	Greece	230	50	05 , 06
Belgium	230	50	05, 06A	Greenland	220	50	05, 09
Belize (Br. Hond.)	110	60	01, 02	Grenada	230	50	05, 07 , 08
Benin	220	50	08	Guadelope	220	50	05, 06A
Bermuda	120	60	01, 02, 04, 07	Guam	110-120	60	01, 02
Bolivia	110-115/220	50	01, 02, 05, 06	Guatemala	120	60	01, 02
Bosnia-Herzegov.	220	50	05, 06	Guinea	220	50	05 , 06A
Botswana	220	50	07 , 08	Guinea-Bissau	220	50	05, 06
Brazil	110-220	60	01, 02, 05	Guyana	110	50-60	01, 02, 05, 07 , 08
Bulgaria	220	50	05, 06	Haiti	110-120	50-60	01, 02
Burkina Faso	220	50	05	Honduras	110	60	01, 02
Burma/Myanmar	230	50	07 , 08	Hong Kong	200	50	07 , 08
Burundi	220	50	05, 06 , 06A	Hungary	220	50	06
Cambodia	120/220	50	05	Iceland	220	50	05, 06
Cameroon	220-230	50	05, 06A	India	220-250	50	05, 08
Canada	120	60	01, 02	Indonesia	220	50	05, 06
Canary Islands	220	50	05, 06A	Iran	220	50	05, 06
Cape Verde	220	50	05, 06	Iraq	220	50	05, 07 , 08
Cayman Islands	120	60	01, 02	Ireland, Rep. of	220	50	06, 07
Central Afr. Rep	220	50	05	Isle of Man	240	50	05, 07
Chad	220	50	06 , 06A, 08	Israel	230	50	06, 10
Channel Islands	240	50	05, 07	Italy	230	50	05, 11
Chili	220	50	05, 11	Ivory Coast	220	50	05
China, P.R.	220	50	04 , 05	Jamaica	110	50	01, 02
Christmas Islands	240	50	04	Japan	100	50, 60	01, 02
Cocos Islands	240	50	04	Jordan	220	50	05, 06, 07
Columbia	110-220	60	01, 05	Kenya	240	50	07 , 08
Congo	220	50	05	Korea, S	220	60	01, 02
Cook Island	240	50	04	Kuwait	240	50	05, 07 , 08
Costa Rica	120	60	01, 02	Laos	220	50	01, 05, 07
Curaco Island	110/220	60	02, 03, 06	Latvia	220	50	05, 06
Cyprus	240	50	07	Lebanon	110-220	50	05
Czech/Slovak Reprs.	220	50	05, 06	Lesotho	240	50	05, 07
Denmark	230	50	05, 09	Liberia	120	60	01, 07
Djibouti	220	50	05, 06A	Libya	127-230	50	08, 11
Dominica	230	50	07	Liechtenstein	220	50	12
Dominican Rep.	220	50	05, 06	Lithuania	220	50	05, 06
Egypt	220	50	05	Luxembourg	230	50	05, 06
El Salvador	115	60	01, 02	Macao	220	50	05, 08

Bold Type = Predominate configuration.

CONTINUED

Country	Voltage	Hz	Number	Country	Voltage	Hz	Number
Madagascar	220	50	05, 06A	Rwanda	220	50	05
Madeira	220	50	05, 08	Saudi Arabia	127/220	50/60	01, 02 , 06, 06A
Majorca	220	50	05, 06	Scotland	220	50	07
Malawi	230	50	07	Senegal	220	50	06A
Malaysia	240	50	07	Seychelles	250	50	07, 08
Maldives	230	50	08	Sierra Leone	230	50	07, 08
Mali, Rep. of	220	50	05, 06A	Singapore	230	50	05, 07, 08
Malta	240	50	07	Somalia	110/220	50	05, 06A
Martinique	220	50	05, 06A	South Africa	220-250	50	08
Mauritania	220	50	05	Spain	230	50	05, 06A
Mauritus	230	50	05, 07 , 08	Sri Lanka	230	50	08
Mexico	127	60	01, 02	St. Perre & Miquelon (Fr)	115	60	01, 02
Monaco	220	50	05, 06A	St. Kitts & Nevis	230	60	07 , 08
Mongolia	220	50	05	St. Lucia	250	50	07
Montseurat	230	60	01, 02, 07	St. Vincent	230	50	07
Mozambique	220	50	05, 06	Sudan	250	50	05, 06, 07
Morocco	220	50	05, 06, 06A, 08	Surinam	115	60	05, 06
Namibia (W.S. Africa)	220-250	50	08	Svalbard	220	50	05, 06
Napal	220	50	08	Swaziland	230	50	08
Netherlands	230	50	05, 06	Sweden	230	50	05, 06
Neth. Antilles	120-127	50/60	01, 02, 05 , 06	Switzerland	230	50	05, 12
New Caledonia	220	50	05, 06A	Syria	220	50	05
New Zealand	230	50	04	Tahiti	220	50	06A
Nicaragua	120	60	01, 02	Taiwan	110	60	01, 02
Niger	220	50	05	Tanzania	230	50	07, 08
Nigeria	230	50	07 , 08	Thailand	220	50	01, 02, 05
Norfolk Island (Aust)	240	50	04	Trinidad & Tobago	115/230	60	01, 02, 07 , 08
No. Mariana Is. (US)	115	60	01, 02	Tunisia	220	50	05
No. Ireland	220	50	07	Turkey	220	50	05, 06
Norway	230	50	05, 06	Uganda	240	50	08
Okinawa	100-120	60	01	United Arab Emir.	220	50	07, 08
Oman	240	50	07 , 08	United Kingdom	240	50	07 , 08
Pakistan	230	50	05, 08	United States	120	60	02
Panama	110-120	60	01, 02	Uruguay	220	50	04 , 05
Papua New Guinea	240	50	03, 04	USSR (former)	220	50	05, 06
Paraguay	220	50	05	Venezuela	120	60	01, 02
Peru	110/220	50/60	01, 02	Vietnam	120/220	50	01, 02, 05 , 06A
Phillippines	115	60	01, 02 , 05	Virgin Islands	120	60	01, 02
Pitcairn Is. (UK)	240	50	08	Wales	220	50	07
Poland	220	50	05, 06	Yemen	220	50	05, 07, 08
Portugal	230	50	05, 06 , 08	Yugoslavia (former)	220	50	05, 06
Puerto Rico	120	60	01, 02	Zaire, Rep. of	220	50	06A
Qatar	250	50	07, 08	Zambia	220	50	07
Romania	220	50	05, 06	Zimbabwe	220	50	07, 08
Russia	220	50	05, 06				

Bold Type = Predominate configuration.